

ONDUVILLA® FIXING GUIDE

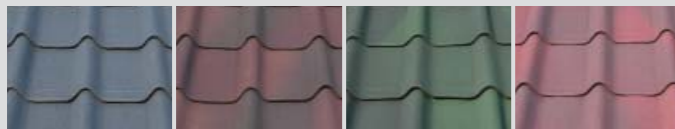
Design and flexible
Easy to handle
Simple to fix



Onduline®
SOUTH AFRICA

www.onduline.co.za

Available in Black, Shaded Brown, Shaded Green & Shaded Red



ONDULINE® is the world's largest manufacturer of bituminous sheets. ONDUVILLA® roofing tiles are easy to handle and so simple to use. The design guide sets out the correct fixing method, illustrates how ONDUVILLA® accessories can be used to provide simple solutions to your premium projects.

■ ONDUVILLA® MATERIAL COMPOSITION

ONDUVILLA® is a bituminous corrugated unique roofing tile developed to combine technical, economical and aesthetical advantages, both for new constructions and roof renovations.

It is manufactured from a mono-layer of organic fibers impregnated with bitumen under pressure and heat. The colour pigmentation system stains the colour into the tile. The resulting tile is flexible and corrosion resistant.

- High waterproof resistance
- Flexibility to adapt to the shape of the roof structure
- Easy to cut, fix and handle, requiring no specialist skills or equipment
- Contains no asbestos and presents no health hazard.

■ ONDUVILLA® APPLICATIONS

ONDUVILLA® is ideal for a wide variety of applications:

- high standard houses,
- condominiums,
- hotels and resorts
- schools,
- government buildings...

ONDUVILLA® can also be installed:

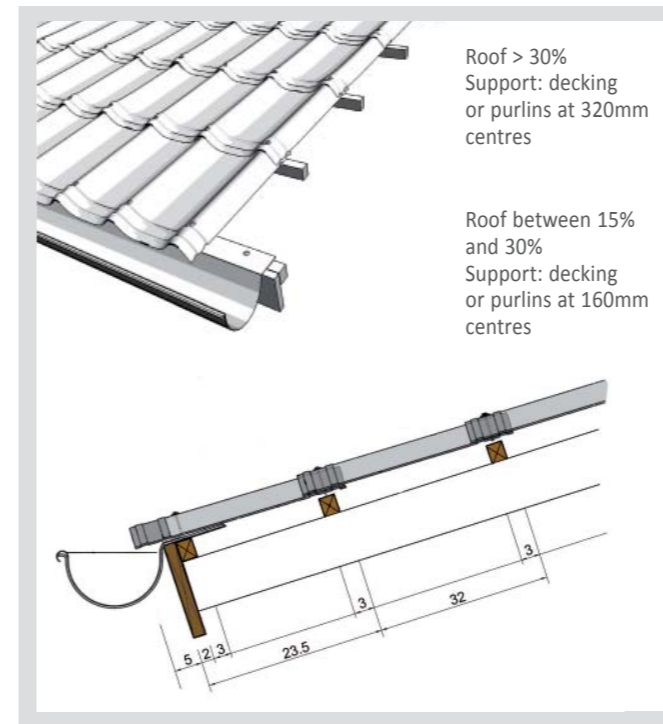
- for curved roofs, as ONDUVILLA tiles are very flexible
- as overshooting system: ONDUVILLA's light weight makes it ideal for overshooting existing deteriorated corrugated roofs.
- as a wall cladding and rain screening material.

Contact the sales office for further details.

■ ROOF SUPPORT STRUCTURES

Using the correct support to install ONDUVILLA® tiles is essential. First establish the roof pitch. We recommend you a pitch of minimum 15%. You can then check if a decking is required, or at what centres the purlins should be fixed. Finally, note the tile end and corrugation side lap.

Roof pitch



■ ONDUVILLA® ROOF DESIGN

ONDUVILLA® corrugations provide a space of 85cm²/m-eaves which helps to have better ventilation between the heat insulation and the roofing tile. A ventilated roof is a security against the damages of condensation. ONDUVILLA® ventilation accessories will prevent condensation risk.

Insulation can also be easily incorporated to create a warm roof construction.

Caution

Covering of roofs can be a hazardous operation. All work should be carried out with due regard to health and safety regulations.

Maintenance

To ensure long life, the roof should be cleared of leaves and debris, and gutters regularly ans paint.

Designer's note

On curved roofs over buildings with high humidity levels, it is essential that high levels ventilation is incorporated and the dome centre tile is fully supported. (Details available from the technical department).

■ ONDUVILLA® - GUARANTEE

ONDUVILLA® tiles, if installed in direct compliance with the manufacturer fixing instructions, are covered against water ingress as a result of defective material, for a period of 15 years. Defective workmanship, hail damage and colour retention is not covered in terms of the guarantee.

Onduline
SOUTH AFRICA

Onduline South Africa
1 Derick Coetzee Rd, Jetpark, Boksburg
T : 0861 98 99 89
info@onduline.co.za – www.onduline.co.za

FIXING GUIDE

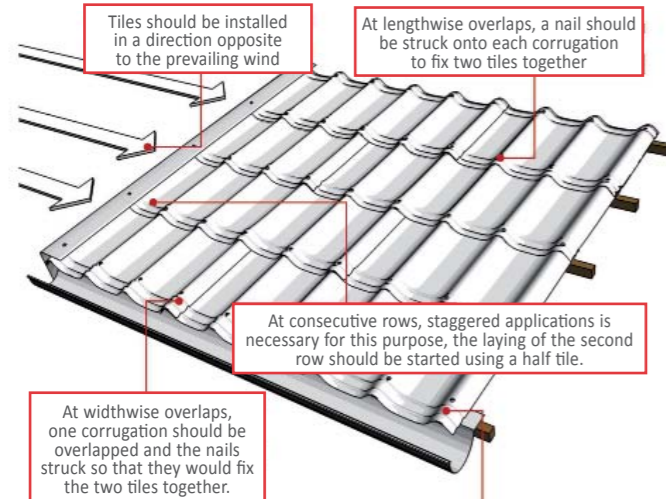
To get the best from ONDUVILLA® tiles, it is essential to fix it in accordance with these instructions.

KEY ADVANTAGES:

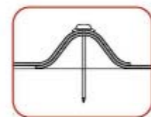
- No Corrosion
- Heat/Cold Insulation
- Great Sound Proofing
- No Leakages

ONDUVILLA®

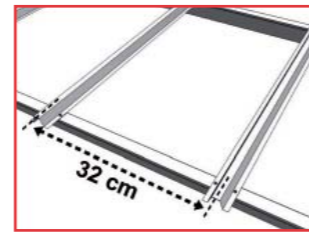
General Rules



The free overhang of tile at the eaves should not exceed maximum 5cm.



*Tiles should be fixed by nail on top of the corrugation

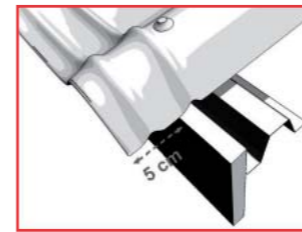


Build a discontinuous wood/metal with 32 cm purlin distance.

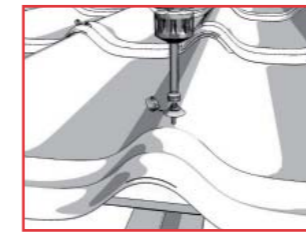


ONDUVILLA® tile can be cut by hand cutter, hand saw or an electrical saw as needed.

To identify the technical terms referred to, consult the drawing on the back cover.



Maximum overhand of ONDUVILLA® tile is 5 cm, fix the ONDUVILLA® tile with a nail or a screw next to the double profile (on top of corrugation).



Fixing of ONDUVILLA® is always on top of corrugation. Close caps properly after nail/screw fixed.

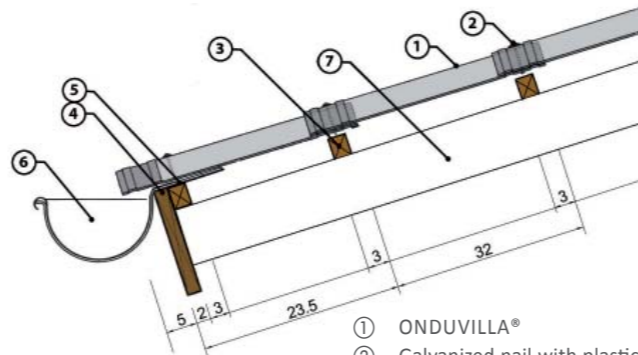
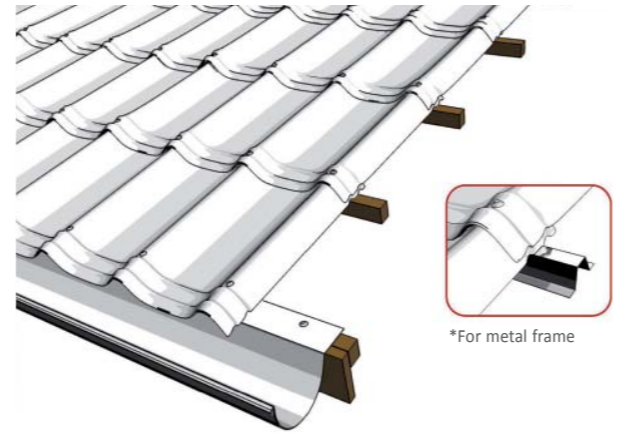


Proceed with the application of each row and the fix of all next ONDUVILLA® tiles by overlapping them laterally upon one corrugation. Overlap each row upon the double-profile.



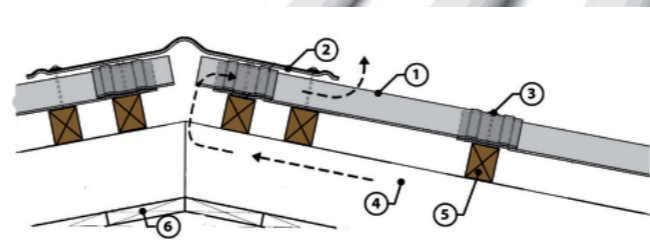
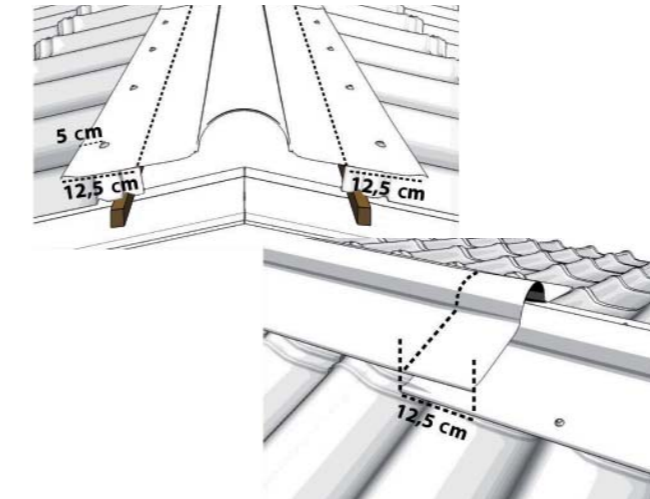
Installation order must be opposite the prevailing wind. It is preferable to follow the fixing order describe above.

Main surface



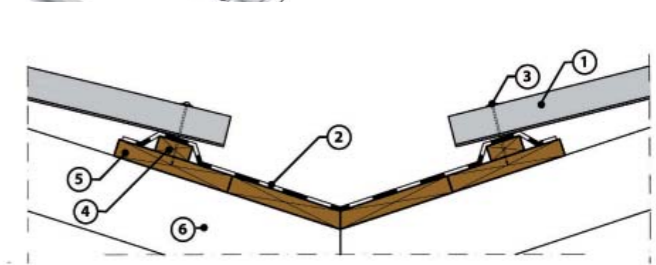
- 1 ONDUVILLA®
- 2 Galvanized nail with plastic washer or cap
- 3 Wood Batten 1/4
- 4 Wood Eaves
- 5 Gutter holder
- 6 Gutter
- 7 Rafter

Ridge and Hip



- 1 ONDUVILLA®
- 2 Ridge
- 3 Galvanized nail with plastic washer or cap
- 4 Rafter
- 5 Wood Batten 1/4
- 6 Wooden Ceiling

Valley



- 1 ONDUVILLA®
- 2 Metal sheet
- 3 Galvanized nail with plastic washer or cap
- 4 Wood Batten 3/4
- 5 Wood Batten 3/20
- 6 Rafter